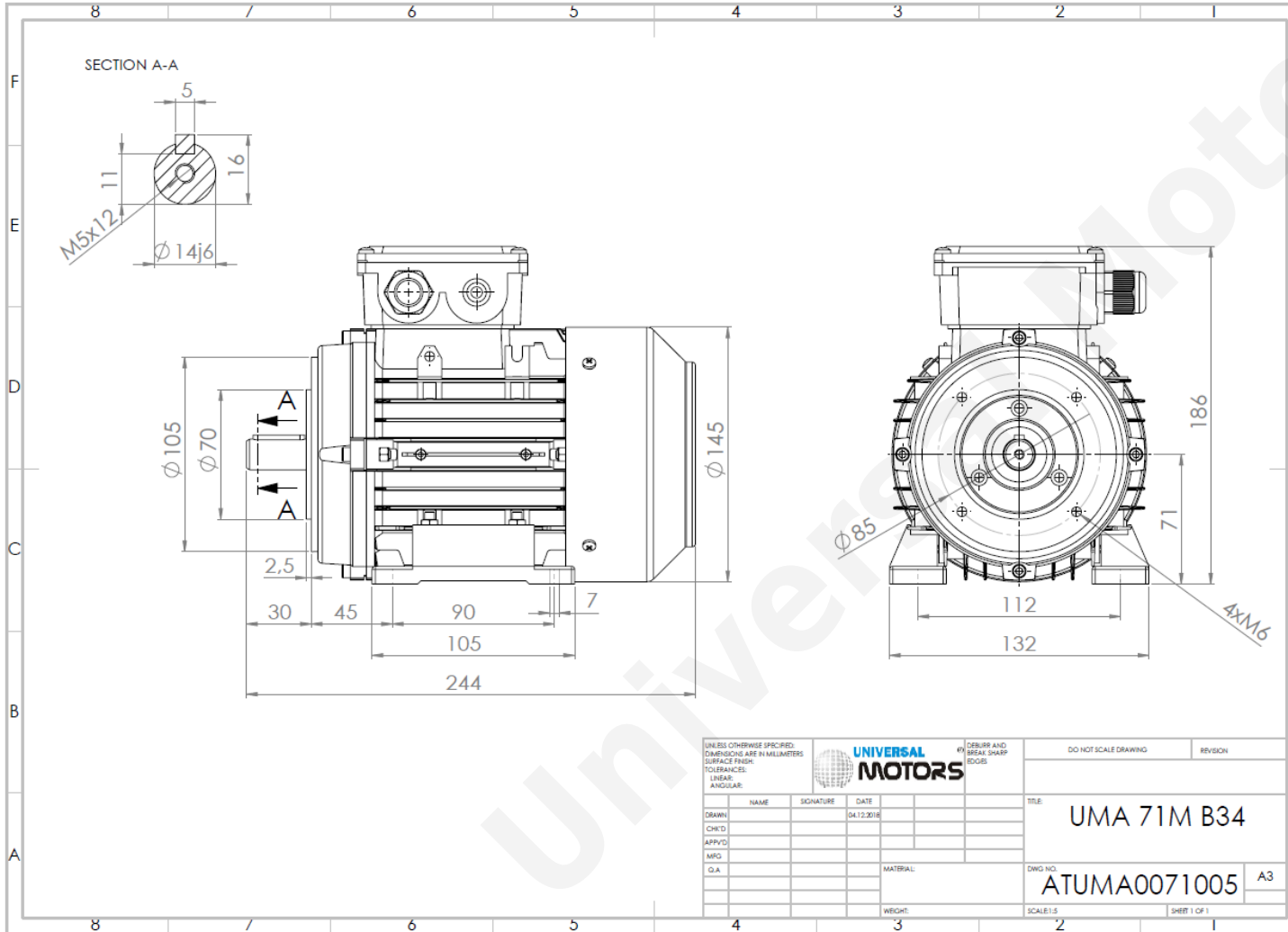




TECHNICAL DATA

Three Phase Electric Motors - Aluminum Frame
 UM2A 71M1-2
 0.37 kW / 0.50 Cv
 2840 RPM



Motor type:	UM2A 71M1-2
Output:	0.37 kW / 0.50 Cv
Speed (min ⁻¹):	2840 RPM
Frequency:	50 Hz
Voltage:	400 V
Current:	0.90 A
Power factor (Cos ϕ):	0.83
Poles:	2
Insulation class:	F
Temperature rise Class:	B
Efficiency 50%:	65.8 %
Efficiency 75%:	70.9 %
Efficiency 100%:	71.5 %
Torque:	1.24 N.m
Tstarting/Tnominal:	2.0
Istarting/Inominal:	5.1
Tmaximum/Tnominal:	2.2
Noise:	64 Db(A)
Weight:	4.9 Kg
Brake AC:	AC2
Torque Brake DC:	4 N.m
Bearing DE:	6202 2Z
Bearing NDE:	6202 2Z
Torque Brake AC:	10 N.m
Brake DC:	REB-05-06

Regime - S1

Altitude - 1000m

Environment Temperature - 40°C

CONTACTS:

UNIVERSAL MOTORS Tel: +351 252 299 080
 Rua de São Brás,745 Fax: +351 252 299 089
 4480-782 VILA DO CONDE Mail: geral@universalmotors.pt

* References applied only in the UK